



---

## DESCRIPTION

The IXG Series is an IP multi-tenant video intercom system. The IXG Series can address the communication needs of any multi-tenant facility. It supports up to 9,999 physical devices and 9,999 IXG apps. All stations require a PoE network drop, simplifying the installation process.

IXG-DM7-HID entrance stations allow for selective communication to tenants within the system. Individual IX series door stations, such as the IX-DV can be used to call guards or tenants when a single call option is required.

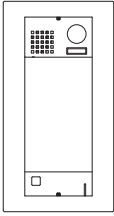
IXG-MK guard stations are used as a centralized point of system communication and control for security or concierge services. Place system-wide pages, receive calls from Entrance and Tenant Stations, respond to Outside Area calls, and more.

IXG-2C7 tenant stations provide audio and video communication from entrance panels, door stations, and guard stations. The tenant station can call and communicate with another tenant station that is installed within the same residence. The tenant station can also call any IXG app that is associated with the residence.

IX-MV7 master stations can be used in Commercial and Inside Area Units. With more features available to them when compared to a Tenant Station, set call transfer scenarios, speed dial buttons, group calling and paging, and other IX Series features to give more system independence compared to other Unit types.

IX Series emergency call units are used in stairwells, parking garages, and public areas outside the building to notify security when assistance is required.

# UNIT TYPES



## Entrance Unit

---

Each Entrance Unit can consist of up to 10 IXG-DM7-HID Entrance Stations and multiple Entrance Units can be created within a system. IXG-DM7-HID stations should be located at any entrance/door that will require a visitor to select who they would like to call. Entrance Stations can call Guard, Commercial, and Tenant Units, as well as grant entry to residents by keypad or card reader.

### Features/Functions

#### Placing a Call

The entrance station can selectively call residential and commercial tenants as well as Inside Area and Guard master stations. Calls can be placed by dialing a tenant's number, by searching a tenant's name, or by a list of names. Lists are limited to 100 tenants.

#### Access Control

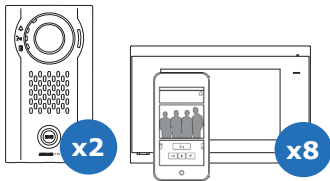
The entrance station can release an associated door by entering an access code. Each tenant can have their own code.

#### Guidance Language

The entrance station allows a visitor to select their preferred guidance language. After the call, the guide language will revert back to language set when programmed.

#### Custom Welcome Screen

Each entrance station can be customized with a unique welcome screen image.



## Residential Unit

---

Residential Units may consist of up to eight IXG-2C7 tenant stations, eight IXG Apps, and two private door stations. IXG-2C7 stations should be located at any tenant space that will require call-up from a common door entrance. The IXG App can be used in conjunction with or in place of the IXG-2C7 physical tenant station.

### Features/Functions

#### Receiving, Placing a Call

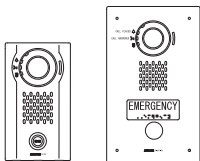
Tenant stations can answer calls from entrance stations, private doors, guard stations, and common areas. Tenant stations can call guard stations, common area stations, other stations within their tenant, and associated IXG apps.

#### Monitor, History, Recording Calls

Tenant stations can monitor entrance stations and private doors. Tenant stations can view recent calls, missed calls, and video recordings. Calls can be manually recorded by touching the record button during an active call.

#### Door Release

Tenant stations and apps can release entrance and door stations they are in communication with.



## Outside Area Unit

---

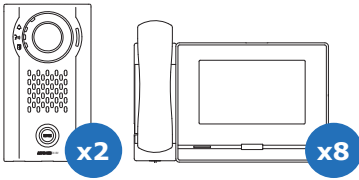
Each Outside Area Unit can include up to 10 door or emergency call stations and multiple Outside Area Units can be created within a system. These stations can be located at any location (i.e. parking garage, rec room, common doors, etc.) that needs to call a Guard Unit, Residential Unit, Commercial Unit, or Inside Area Unit.

### Features/Functions

#### Placing a Call

The stations can call residential and commercial tenants as well as inside area and guard master stations.

# UNIT TYPES



## Inside Area Unit

---

Inside Area Units may include up to eight IX-MV7-\* master stations and two private door stations. The IX-MV7-\* stations can be located at any common area (i.e. leasing office, property manager) that will require call up from a common door entrance or private door.

An Inside Area Master Station can communicate with all other unit types, except for the Guard. The two private door stations will only call to stations within their Unit.

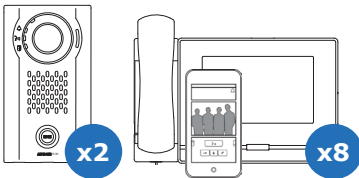
### Features/Functions

#### Receiving, Placing a Call

Inside Area master stations can answer calls and place calls to entrance stations, private doors, residential units, commercial units, and other common areas.

#### Door Release

Inside Area master stations can release entrance and door stations they are in communication with.



## Commercial Unit

---

Commercial Units may consist of up to eight IX-MV7-\* Master Stations, eight IXC Apps, and two private door stations. The IX-MV7-\* stations should be located at any commercial/retail space that will require call up from a common door entrance or private door. The IXC App can be used in conjunction with or in place of the IX-MV7-\* physical station.

Stations within a Commercial Unit can communicate with Inside and Outside Area units, Guard and Entry units, as well as other Commercial Units. The two private door stations will only call to stations within their Unit.

### Features/Functions

#### Receiving, Placing a Call

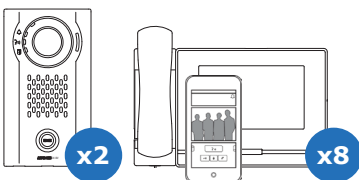
Master stations can answer calls from entrance stations, private doors, guard stations, and common areas. Master stations within the Commercial Unit can call guard stations, Inside Area stations, and other Commercial Unit stations.

#### Paging

Commercial Unit master stations can place an All Page to other stations within its unit (excluding apps) and other Commercial Units.

#### Door Release

Master stations and apps can release entrance and door stations they are in communication with.



## Guard Unit

---

Guard Units may consist of up to eight IXG-MK guard stations, eight IXC Apps, and two private door stations. The IXG-MK stations can be located at any common space (i.e. concierge) that will require call-up from a common door entrance or private door and needs to be able to call to Residential Units. The IXC App can be used in conjunction with the IXG-MK physical stations.

### Features/Functions

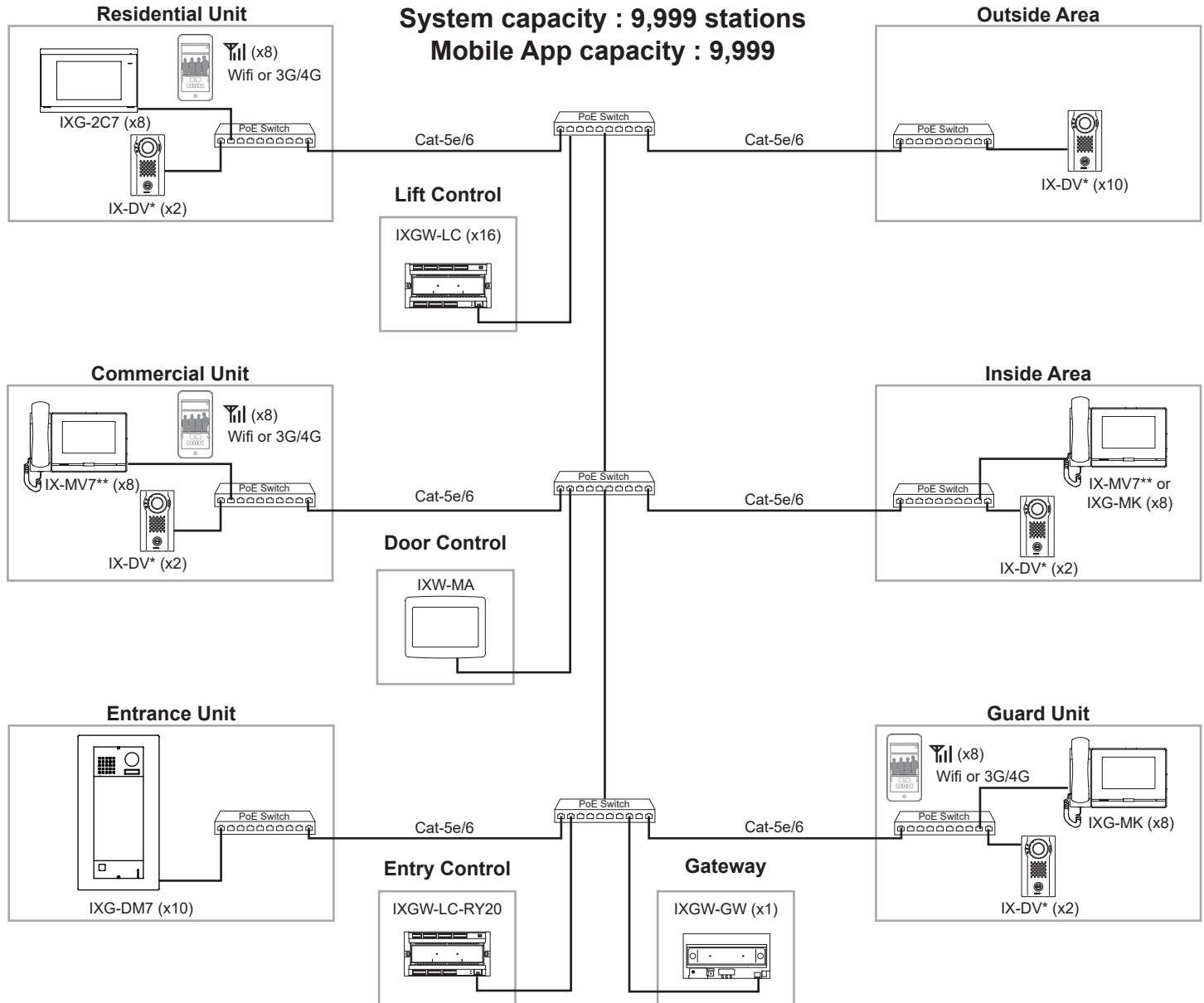
#### Receiving, Placing a Call

Guard stations can answer calls from entrance stations, private doors, other guard stations, and common areas.

#### Door release

Guard stations and apps can release entrance and door stations they are in communication with.

# UNIT TYPE DIAGRAM



<b>Guard</b>	IXG-MK (max.8 per unit), mobile device (max.8 per unit), door station* (max.2 per unit)
<b>Entrance</b>	IXG-DM7-HID (max.10 per unit)
<b>Inside Area</b>	IXG-MK or IX-MV7-** (max.8 per unit), door station* (max.2 per unit)
<b>Residential</b>	IXG-2C7(-L) (max.8 per unit), mobile device (max.8 per unit), door station* (max.2 per unit)
<b>Commercial</b>	IX-MV7** (max.8 per unit), mobile device (max.8 per unit), door station* (max.2 per unit)
<b>Outside Area</b>	Door station* (max.10 per unit)
<b>Other</b>	IXGW-LC(-RY20) (max.16 per building), IXGW-GW (max.1 per system), IXW-MA (1 per 10 door stations*)
<b>*</b>	IX-EA, IX-DV, IX-DVF, IX-DVF-P, IX-DVF-RA, IX-DVF-2RA, IX-SSA, IX-SS-2G, IX-SSA-RA, IX-SSA-2RA
<b>**</b>	IX-MV7-HB, IX-MV7-HW-JP, IX-MV7-B, IX-MV7-W

# FEATURES

## Entrance Unit (IXG-DM7-HID)

---

- 7" Touchscreen
- PoE
- On-board Recording with microSD card
- Simple User Interface
- Call to Cloud-based App
- 720p HD Camera
- Two-way video
- Up to 9,999 Names/Numbers can be Stored
- Programmable Contact Inputs and Outputs
- Motion Sensor to Activate LCD
- Built-in HID Reader for Card Access
- Stainless Steel Panel
- Rugged IP65 and IK08 Ratings

## Residential Unit (IXG-2C7)

---

- 7" Touchscreen
- PoE
- On-board Recording with microSD card
- Place Calls to Other Stations within a Unit
- Receive Calls from Private Door Stations
- Cloud-based App
- Programmable Contact Inputs and Outputs
- Call Concierge/Guard
- Call Elevator to Floor
- Monitor Door Stations

## Outside Area Unit (IX Series Door Stations)

---

- PoE
- Place Calls to Other Units (excluding Entrance)

## Inside Area Unit (IX-MV7)

---

- 7" Touchscreen
- PoE
- On-board Recording with microSD card
- Place Calls to Other Units (excluding Guard)
- Receive Calls from Private Door Stations
- Programmable Contact Inputs and Outputs
- Monitor Door Stations

## Commercial Unit (IX-MV7)

---

- 7" Touchscreen
- PoE
- On-board Recording with microSD card
- Place Calls to Other Units (excluding Guard)
- Cloud-based App
- Receive Calls from Private Door Stations
- Programmable Contact Inputs and Outputs
- Monitor Door Stations

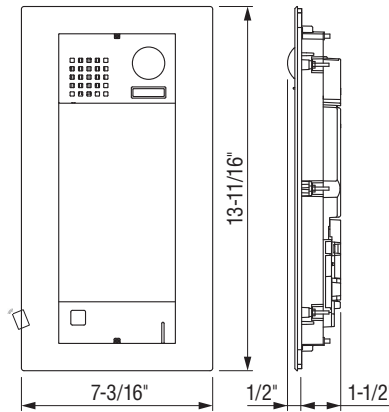
## Guard Unit (IXG-MK)

---

- 7" Touchscreen
- PoE
- On-board Recording with microSD card
- Place Calls to Other Units (excluding Inside Area Unit)
- Receive Calls from Private Door Stations
- Cloud-based App
- Programmable Contact Inputs and Outputs
- Paging Input
- External Speaker Output
- Monitor Door Stations

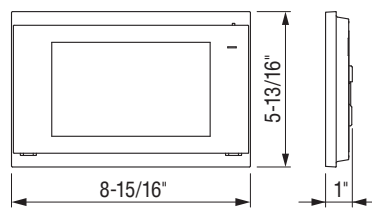
# SPECIFICATIONS

## IXG-DM7-HID



Power Source	PoE (IEEE 802.3af class 0)
Power Draw	5.3 W Standby, 11.6 W Max.
Screen	7" TFT LCD Display
Monitor Resolution	800 x 400
Communication	Full Duplex
Video Codec	H.264
Audio Codec	G.711 ( $\mu$ -law, A-law)
Protocols	IPv4/v6, TCP, UDP, SIP, HTTP, HTTPS, RTSP, RTP, RTCP, IGMP, MLD, SMTP, SFTP, DHCP, NTP, DNS
Encryption	TLS 1.0, 1.1, 1.2
Operating Temperature	-22° ~ 140°F (-30° ~ 60°C)
Dimensions:	13-11/16" H x 7-3/16" W x 2" D

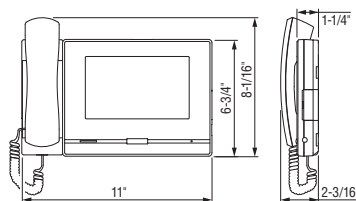
## IXG-2C7



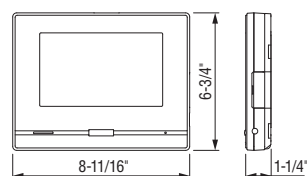
Power Source	PoE (IEEE 802.3af class 0)
Power Draw	1.9 W Standby, 5.9 W Max.
Screen	7" LCD TFT Touchscreen
Monitor resolution	800x400
Communication	Full-duplex
Audio Codec	G.711 ( $\mu$ -law, A law)
Video Codec	H.264/AVC, Motion JPEG
Protocols	IPv4/v6, TCP, UDP, SIP, HTTP, HTTPS, RTSP, RTP, RTCP, IGMP, MLD, SMTP, SFTP, DHCP, NTP, DNS
Encryption	TLS 1.0, 1.1, 1.2
Operating Temperature	32° ~ 104°F (0° ~ 40°C)
Dimensions	5-13/16" H x 8-15/16" W x 1" D

## IXG-MK, IX-MV7-B/W, IX-MV7-HB/HW-JP

IXG-MK, IX-MV7-HB/HW



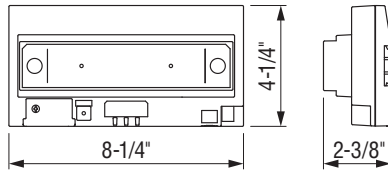
IX-MV7-B/W



Power Source	PoE (IEEE 802.3af class 0)
Power Draw	3.2 W Standby, 7.4 W Max.
Camera	1/8" CMOS, 720p
Min. Illumination	5 Lux
Audio Codec	G.711 ( $\mu$ -law, A law), G.722
Video Codec	H.264/AVC, Motion JPEG
Trigger Inputs	4
Contact Outputs	2 (24V AC/DC, 1A)
Speaker Output	8 $\Omega$ , 1/2 Watt
Port Security	IEEE 802.1X
Protocols	IPv4/v6, TCP, UDP, SIP, HTTP, HTTPS, RTSP, RTP, RTCP, IGMP, MLD, SMTP, SFTP, DHCP, NTP, DNS
Operating Temperature	32° ~ 104°F (0° ~ 40°C)
Dimensions	IX-MV7 6-3/4" H x 8-11/16" W x 1-1/4" D IXG-MK, IX-MV7-H 8-1/16" H x 11" W x 2-3/16" D

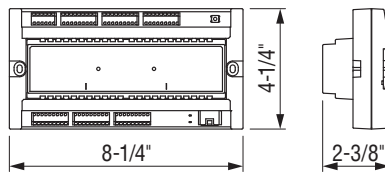
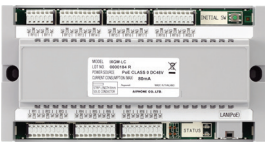
# SPECIFICATIONS

## IXGW-GW



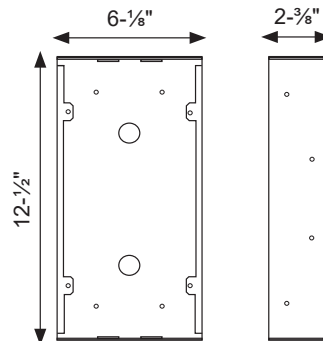
Power Source	PoE (IEEE 802.3af class 0)
Power Draw	2.1 W Standby, 2.9W Max.
LAN	Ethernet (10BASE-T, 100BASE-TX)
Packet Delivery	Unicast, Multicast
Channels	8
Protocols	IPv4/v6, TCP, UDP, SIP, HTTPS, RTP, RTCP, SRTP, SRTCP, IGMP, MLD, SFTP, DHCP, NTP, DNS, MQTT, ICE, DTLS, SDP
Encryption	TLS 1.0, 1.1, 1.2
Operating Temperature	14° ~ 122°F (-10° ~ 50°C)
Dimensions	4-1/4" H x 8-1/4" W x 2-3/8" D

## IXGW-LC(-RY20)



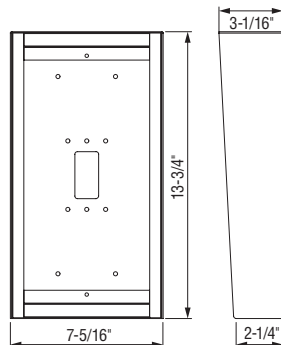
Power Source	PoE (IEEE 802.3af class 0)
Power Draw	2.1 W Standby, 4.4 W Max.
LAN	Ethernet (10BASE-T, 100BASE-TX)
Packet Delivery	Unicast, Multicast
Protocols	IPv4/v6, TCP, UDP, HTTP, HTTPS, IGMP, MLD, SFTP, DHCP, NTP, DNS
Encryption	TLS 1.0, 1.1, 1.2
Operating Temperature	14° ~ 122°F (-10° ~ 50°C)
Dimensions:	4-1/4" H x 8-1/4" W x 2-3/8" D

## IXG-DM7-BOX



Material	Steel
Conduit knockouts	6 total. 2 back, 2 top, 2 bottom
Dimensions	12-1/2" H x 6-1/8" W x 2-3/8" D

## SBX-IXGDM7



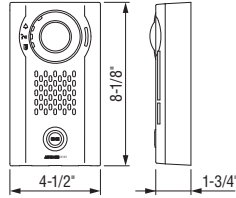
Material	Stainless Steel
Conduit knockouts	1 - at bottom of box
Mounting	1 or 2 gang mounting hole pattern
Dimensions	13-3/4" H x 7-5/16" W x 3-1/16" D (top); 2-1/4" D (bottom)



# SPECIFICATIONS

## IX-DV, IX-DVF, IX-DVF-P, IX-SSA

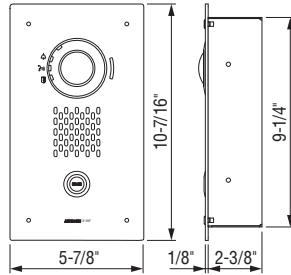
IX-DV



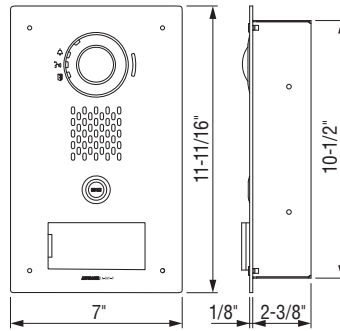
IX-DVF



IX-SSA



IX-DVF-P



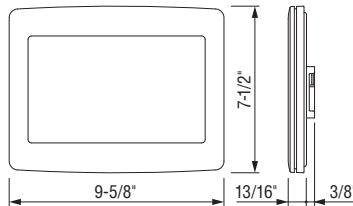
Power Source	PoE (IEEE 802.3af class 0) with PoE passthrough
Power Draw: Video Station Audio Station	3.7 W Standby, 7.4 W Max. 2.4 W Standby, 5.8 W Max.
Audio Codec	G.711 ( $\mu$ -law, A law), G.722
Trigger Inputs	6
Contact Outputs	2 (24V AC/DC, 1A)
Port Security	IEEE 802.1X
Protocols	IPv4/v6, TCP, UDP, SIP, HTTP, HTTPS, RTSP, RTP, RTCP, IGMP, MLD, SMTP, SFTP, DHCP, NTP, DNS
Operating Temperature	-40° ~ 140°F (-40° ~ 60°C)
Ingress Protection IX-DV IX-SSA, IX-DVF, IX-DVF-P	IP54 IP65
Impact Protection	IK08
Dimensions: IX-DV IX-DVF & IX-SSA IX-DVF-P	8- <sup>1</sup> / <sub>16</sub> " H x 4- <sup>1</sup> / <sub>2</sub> " W x 2- <sup>1</sup> / <sub>16</sub> " D 10- <sup>7</sup> / <sub>16</sub> " H x 5- <sup>7</sup> / <sub>8</sub> " W x 2- <sup>3</sup> / <sub>8</sub> " D 11- <sup>11</sup> / <sub>16</sub> " H x 7" W x 2- <sup>3</sup> / <sub>8</sub> " D

Camera	<sup>1</sup> / <sub>3</sub> " CMOS, 1.2 megapixel
Min. Illumination	5 Lux
Video Codec	H.264/AVC, Motion JPEG

Card Reader	HID multiCLASS SE RP10
-------------	------------------------

## IXW-MA

IXW-MA

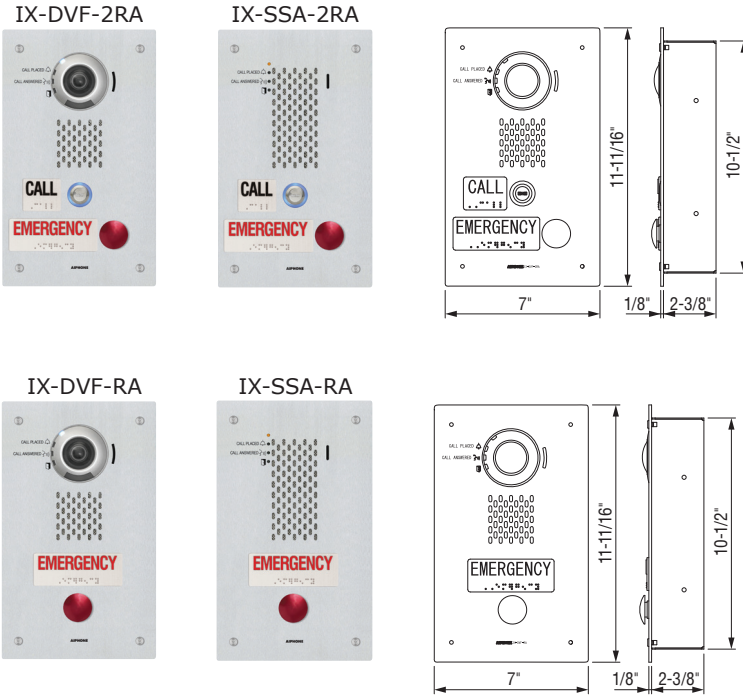


Power Source	PoE (IEEE 802.3af class 0)
Power Draw	6.48 W Max
Contact Outputs	4 Form C 6 Form A (24V AC/DC, 500mA)
Speaker Output	8 $\Omega$ , <sup>1</sup> / <sub>2</sub> Watt
Port Security	IEEE 802.1X
Protocols	IPv4/v6, TCP, UDP, HTTP, HTTPS, SMTP, SFTP, DHCP, NTP, DNS
Operating Temperature	14° ~ 122°F (-10° ~ 50°C)
Dimensions	7- <sup>1</sup> / <sub>2</sub> " H x 9- <sup>5</sup> / <sub>8</sub> " W x <sup>13</sup> / <sub>16</sub> " D



# SPECIFICATIONS

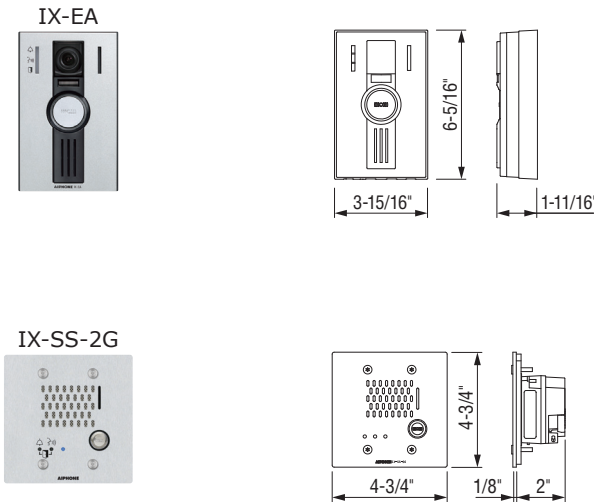
## IX-DVF-2RA, IX-SSA-2RA, IX-DVF-RA, IX-SSA-RA



Power Source	PoE (IEEE 802.3af class 0) with PoE passthrough
Power Draw: Video Station Audio Station	3.7 W Standby, 7.4 W Max. 2.4 W Standby, 5.8 W Max.
Audio Codec	G.711 (μ-law, A law), G.722
Trigger Inputs	6
Contact Outputs	2 (24V AC/DC, 1A)
Port Security	IEEE 802.1X
Protocols	IPv4/v6, TCP, UDP, SIP, HTTP, HTTPS, RTSP, RTP, RTCP, IGMP, MLD, SMTP, SFTP, DHCP, NTP, DNS
Operating Temperature	-40° ~ 140°F (-40° ~ 60°C)
Ingress Protection	IP65
Impact Protection	IK08
Dimensions	11-11/16" H x 7" W x 2-3/8" D

Camera	1/3" CMOS, 1.2 megapixel
Min. Illumination	5 Lux
Video Codec	H.264/AVC, Motion JPEG

## IX-EA, IX-SS-2G



Power Source	PoE (IEEE 802.3af class 0)
Power Draw: IX-EA IX-SS-2G	3.2 W Standby, 5.2 W Max. 1.6 W Standby, 3.4 W Max.
Audio Codec	G.711 (μ-law, A law), G.722
Trigger Inputs	1
Contact Outputs	1 (24V AC/DC, 1A)
Port Security	IEEE 802.1X
Protocols	IPv4/v6, TCP, UDP, SIP, HTTP, HTTPS, RTSP, RTP, RTCP, IGMP, MLD, SMTP, SFTP, DHCP, NTP, DNS
Operating Temperature	-40° ~ 140°F (-40° ~ 60°C)
Ingress Protection IX-EA IX-SS-2G	IP54 IP65
Impact Protection IX-SS-2G	IK08
Dimensions: IX-EA IX-SS-2G	6-5/16" H x 4-15/16" W x 1-11/16" D 4-3/4" H x 4-3/4" W x 2" D

Camera	1/3" CMOS, 1.2 megapixel
Min. Illumination	5 Lux
Video Codec	H.264/AVC, Motion JPEG